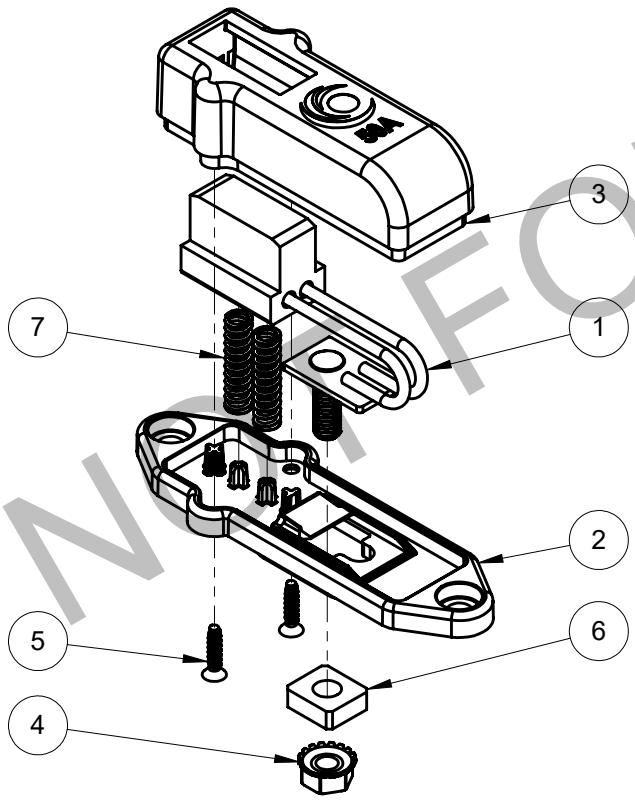
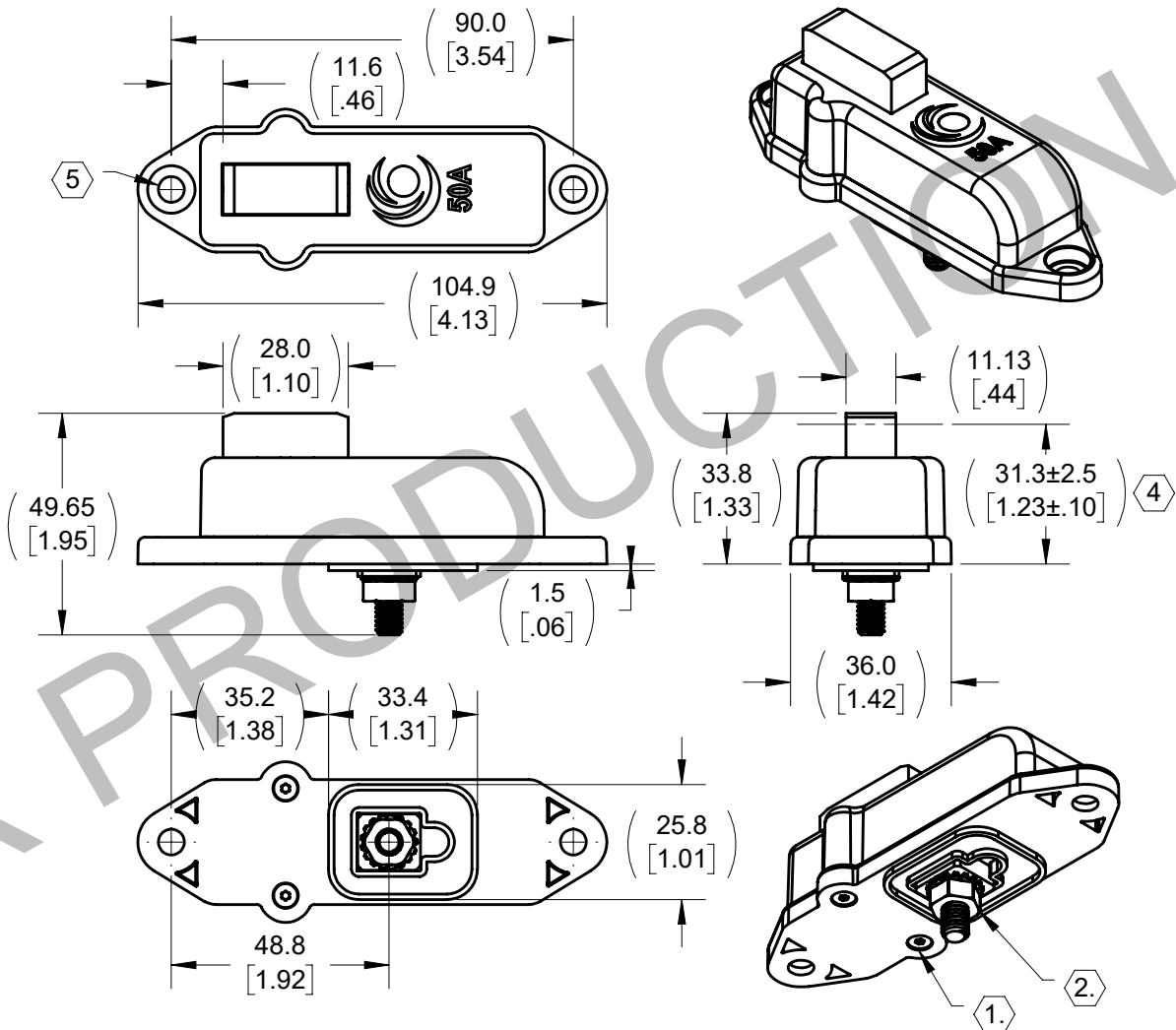


NOTES:

- 1. TORQUE BRUSH COVER SCREWS TO 1.2 N-m (11 IN-LBS.).
- 2. TORQUE POWER TERMINAL M6 NUTS TO 5.7 N-m (50 IN-LBS.) (AT INSTALLATION).
- 3. SPECIFICATIONS  
RATING: UL 583, 50A CONTINUOUS, 60VDC  
(25VAC) MAX  
POSITIONING TOLERANCE +/-: X=5MM; Y=16.5MM;  
Z=2.5MM
- 4. TARGET MOUNTING DISTANCE AT MID-STROKE.  
BRUSHES SHOWN WITH 0.5MM PRELOAD.
- 5. MOUNTING HARDWARE: M5 SOCKET HEAD CAP SCREW.



ITEM	MATERIAL NO. 2	DESCRIPTION	QTY.	UNIT
7	XA-598862	SPRING COMPRESSION .24 OD X .17 ID X 1.0	2	PC
6	XA-594129	SPACER TERMINAL MCC LUG	1	PC
5	XA-591656	SCREW 4-20 x .50 LG THD ROLL PLSTC SST	2	PC
4	XA-104380	NUT M6-1.00 HEX KEPS SST	1	PC
3	XA-601762	HOUSING COLLECTOR 50A NANO+	1	PC
2	XA-602879	COVER MOUNT SINGLE 50A NANO+	1	PC
1	XA-601520	BRUSH ASSEMBLY 50A NANO+	1	PC

STATUS: <b>PRE-RELEASED</b>		DESCRIPTION: <b>COLLECTOR ASSY SINGLE 50A NANO+</b>	
ER NO: ECO-49916	UNLESS OTHERWISE SPECIFIED INTERPRET GEOMETRIC TOLERANCING PER: ASME Y14.5	PROPRIETARY AND CONFIDENTIAL This drawing and the information shown constitute trade secret and confidential property of Conductix-Tip, Inc. It is subject to recall, and is loaned for use only in connection with the authorized manufacture or installation of Conductix-Tip, Inc. products, and on the condition that it will be treated as confidential and will not be disclosed, published or reproduced in whole or in part, or permitted to be viewed or used by any other party, without specific written permission. Receipt and use of the drawing and information constitutes acceptance and agreement to the above.	
ER DATE: 10/07/2022	PRIMARY UNITS ARE IN MM KG SECONDS SECONDARY UNITS IN INCH LB SECONDS TOLERANCES ARE AS FOLLOWS		
ER ENGR: J SMITH	DECIMAL: X. ± 2.5 MM [0.1 IN] XX. ± 0.8 MM [0.03 IN] XXX. ± 0.25 MM [0.010 IN] ANG. ± 1°		
ER APPR: D SAMPSON	THREAD CLASS: 6G EXTERNAL / 6H INTERNAL ALL DIMENSIONS GREATER THAN 50MM HAVE A TOLERANCE OF ± 2MM UNLESS OTHERWISE SPECIFIED	MATERIAL NO. 2:	
DRAWN: J SMITH	09/27/2022	SIZE <b>A</b> SCALE: 3:5	10102 F Street Omaha, NE 68127 800-521-4888
APPR: D SAMPSON	09/27/2022	WEIGHT(REF): 115.04 KG MAT'L:	REV <b>0</b>
			SHEET 1 OF 1